

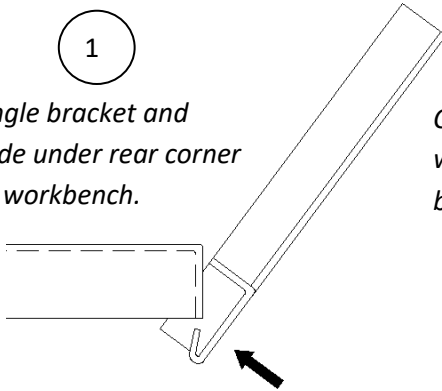
ASSEMBLY INSTRUCTIONS



PEGBOARD (& BIN PANEL) FOR WORKBENCHES

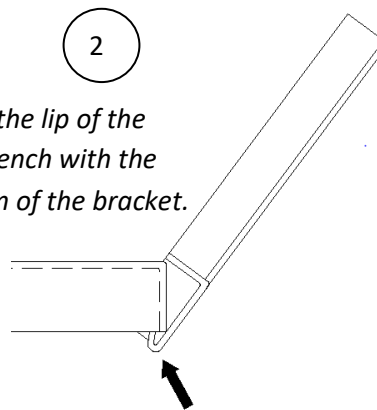
1

Angle bracket and slide under rear corner of workbench.



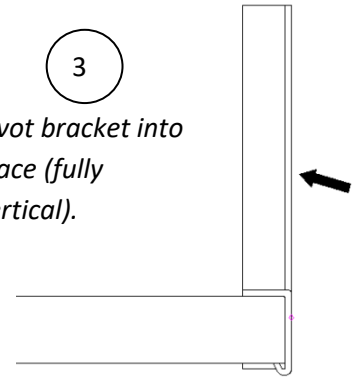
2

Catch the lip of the workbench with the bottom of the bracket.



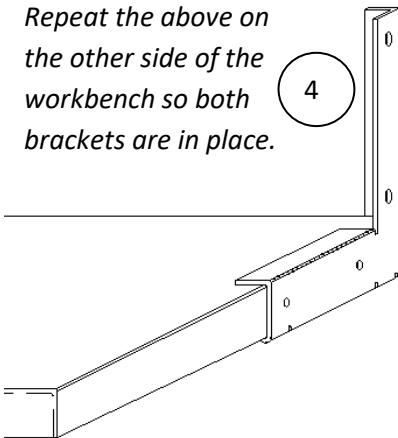
3

Pivot bracket into place (fully vertical).



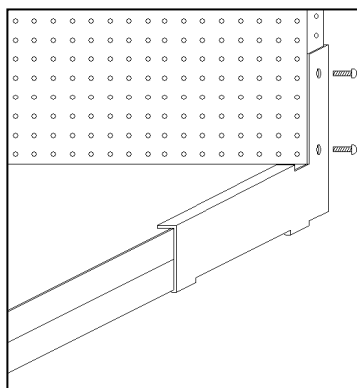
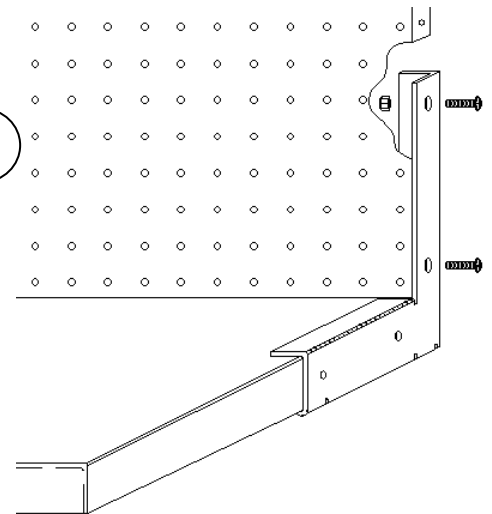
Repeat the above on the other side of the workbench so both brackets are in place.

4



Slide the pegboard panel into place. The bracket holes should line up with the holes in the pegboard lip. Insert bolts and tighten the nuts from the back.

5



Pictured: Bracket for Butcher Block Top and Lip-up Workbench

FOR QUESTIONS ABOUT YOUR LITTLE GIANT PRODUCT, CALL CUSTOMER SERVICE AT (708) 534-5500.